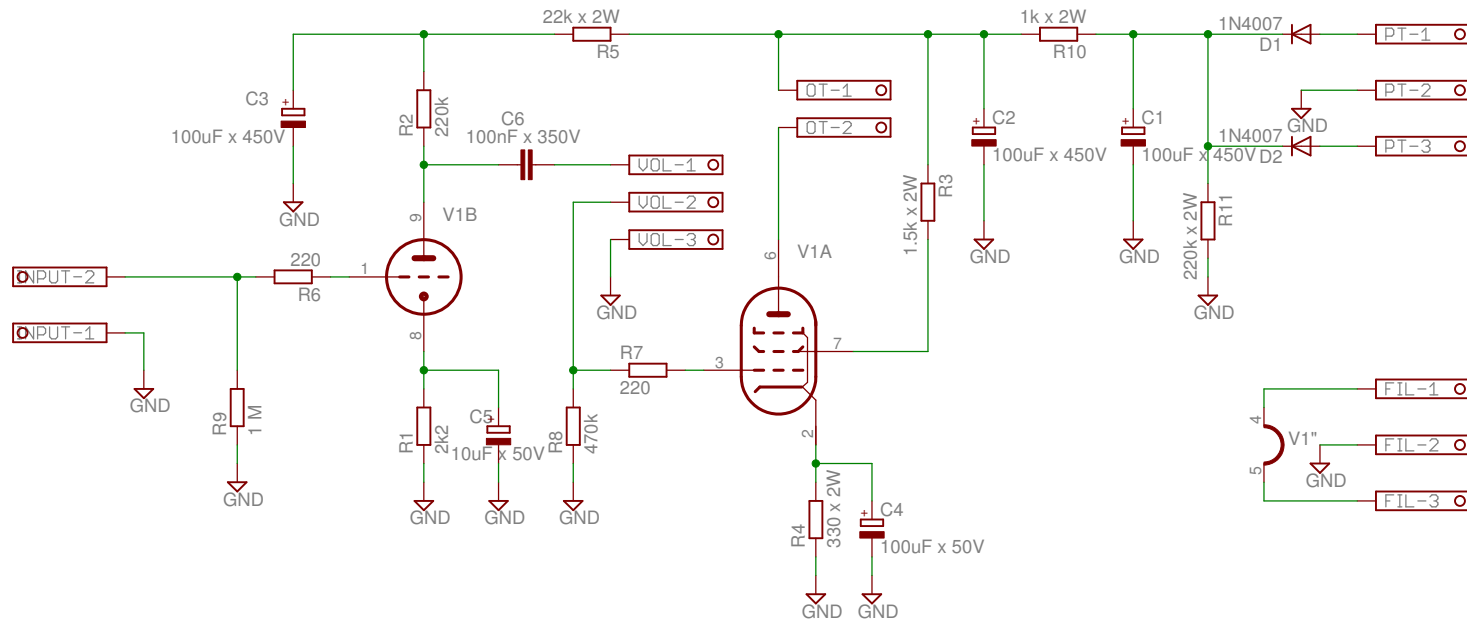


IALL 3.5: One ECL-82 tube guitar amplifier

Author: Haroldo Gamal

version: 1.0



NOTES:

- All resistors are rated at 1/2 W except when it is noted
- OT: 5600 ohms x 4/8 ohms - grain oriented steel transformer with air gap
- PT: Primary: 127V; Secondary: 250V + 250V @ 50 mA, 3.15V + 3.15 V @ 1A
- Use shielded cables to connect input (INPUT) and volume control (VOL)
- Volume control is 1M log potentiometer

Haroldo Gamal (C) 2009

iall-3.5

1/18/09 11:29 PM

Sheet: 1/1